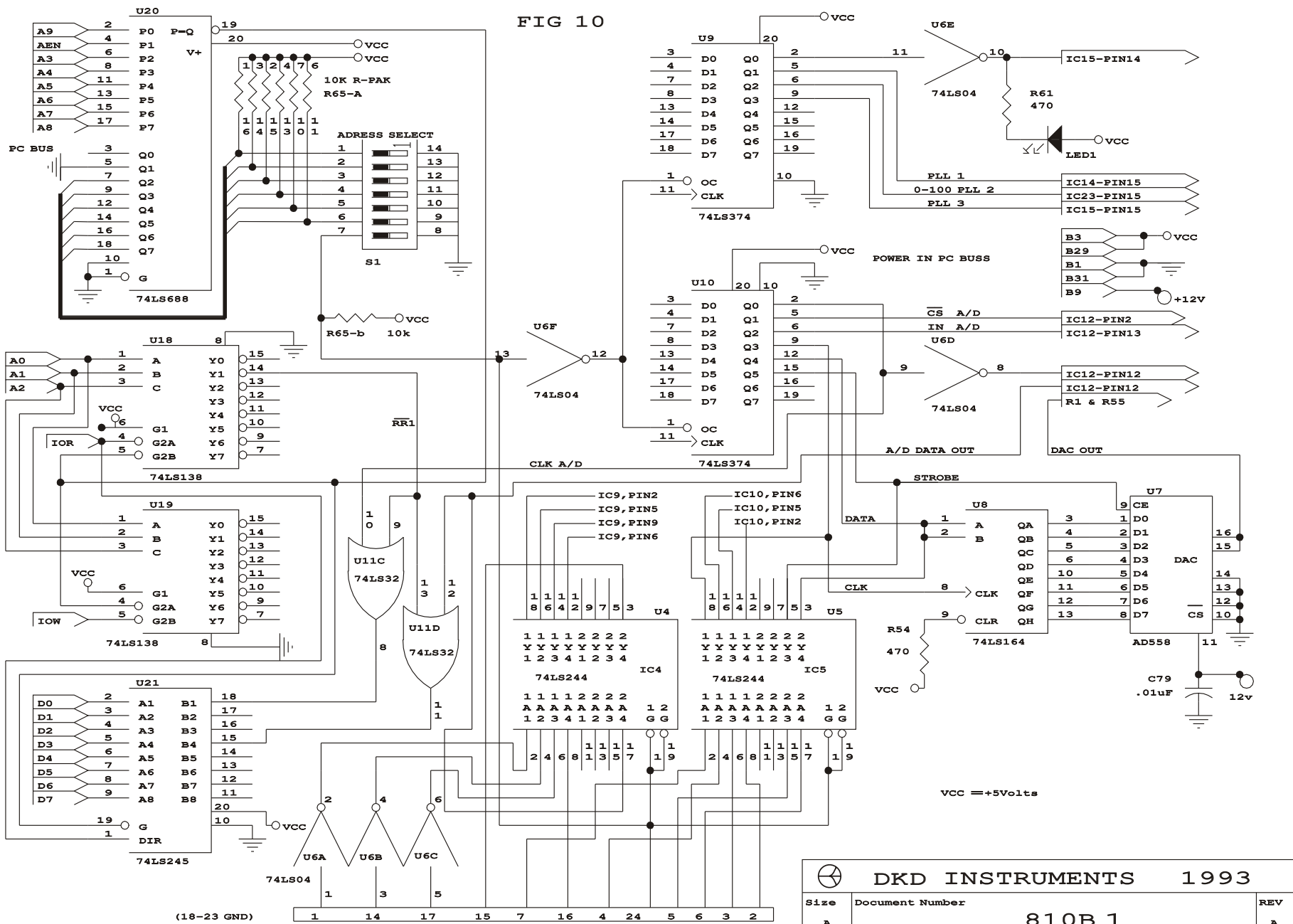


FIG 10

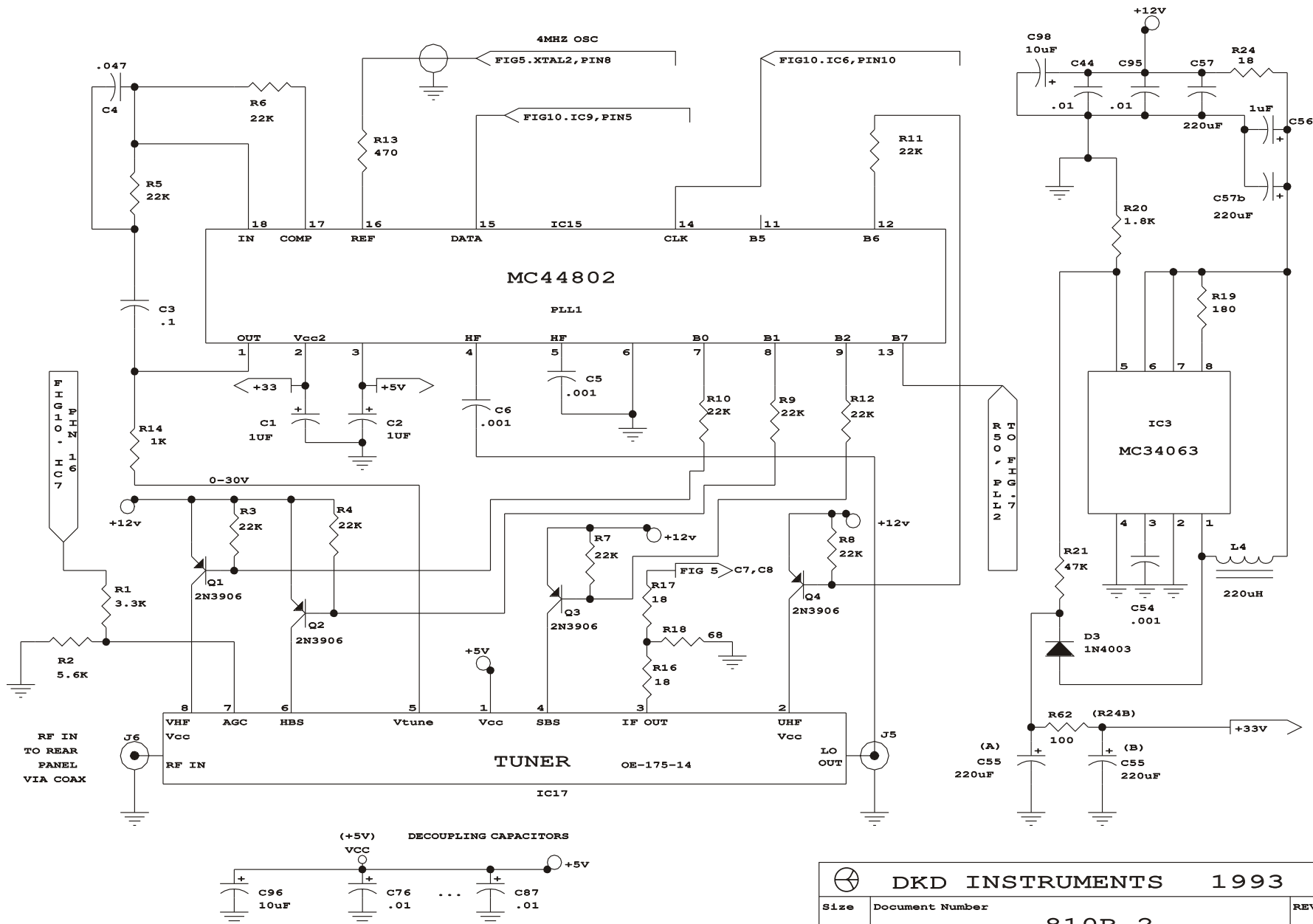


(18-23 GND)

CENTRONICS PORT

 DKD INSTRUMENTS		1993
Size	Document Number	REV
A	810B 1	A
Date:	February 19, 1993	Sheet 1 of 6

FIG 4



DKD INSTRUMENTS 1993		
Size A	Document Number 810B-2	REV A
Date: February 21, 1993	Sheet 2 of	6

FIG 5A1

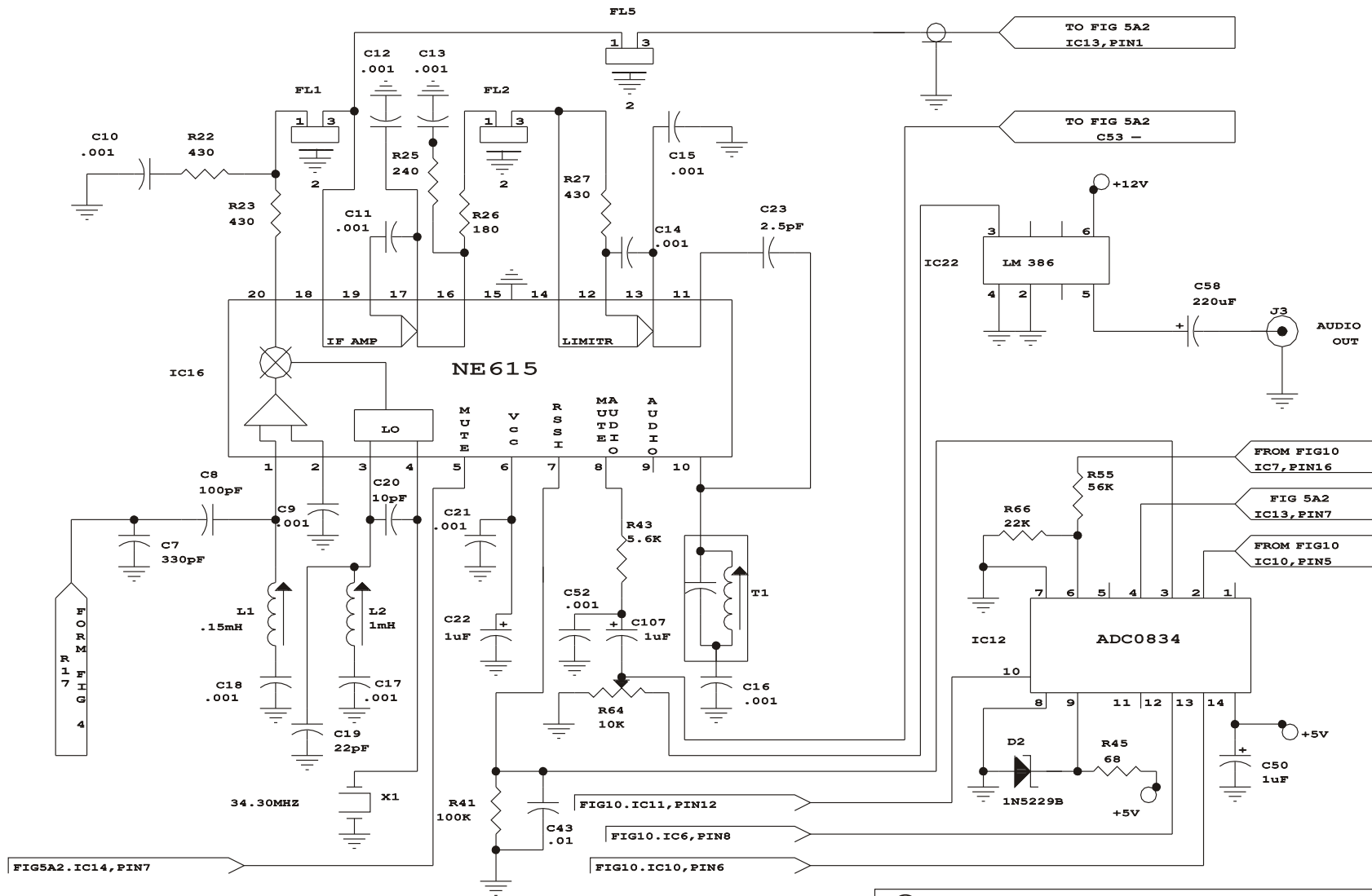
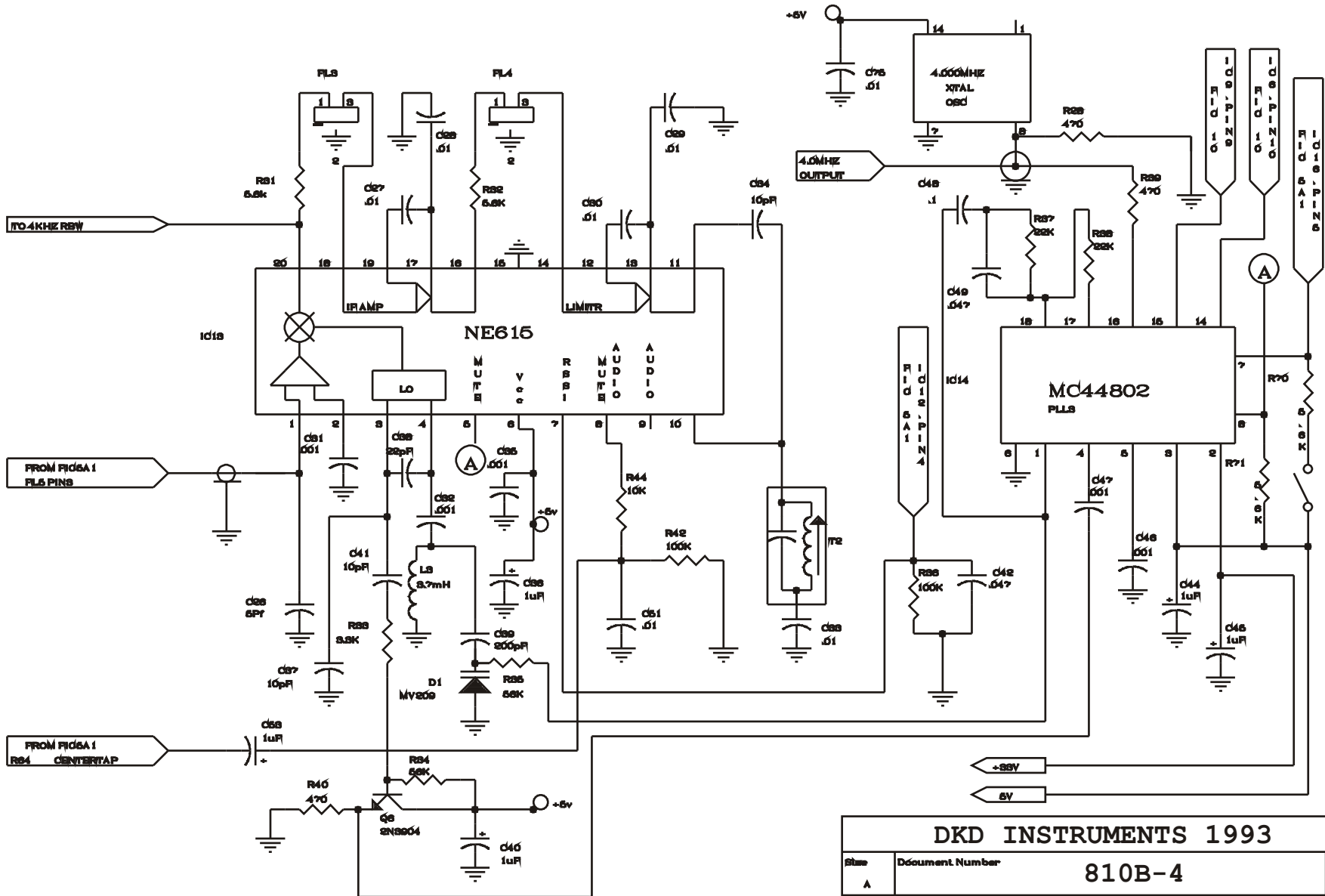


FIG 5A2



DKD INSTRUMENTS 1993

Rev	Document Number	810B-4	REV
A			A
Date	February 28, 1993	Sheet	4 of 6

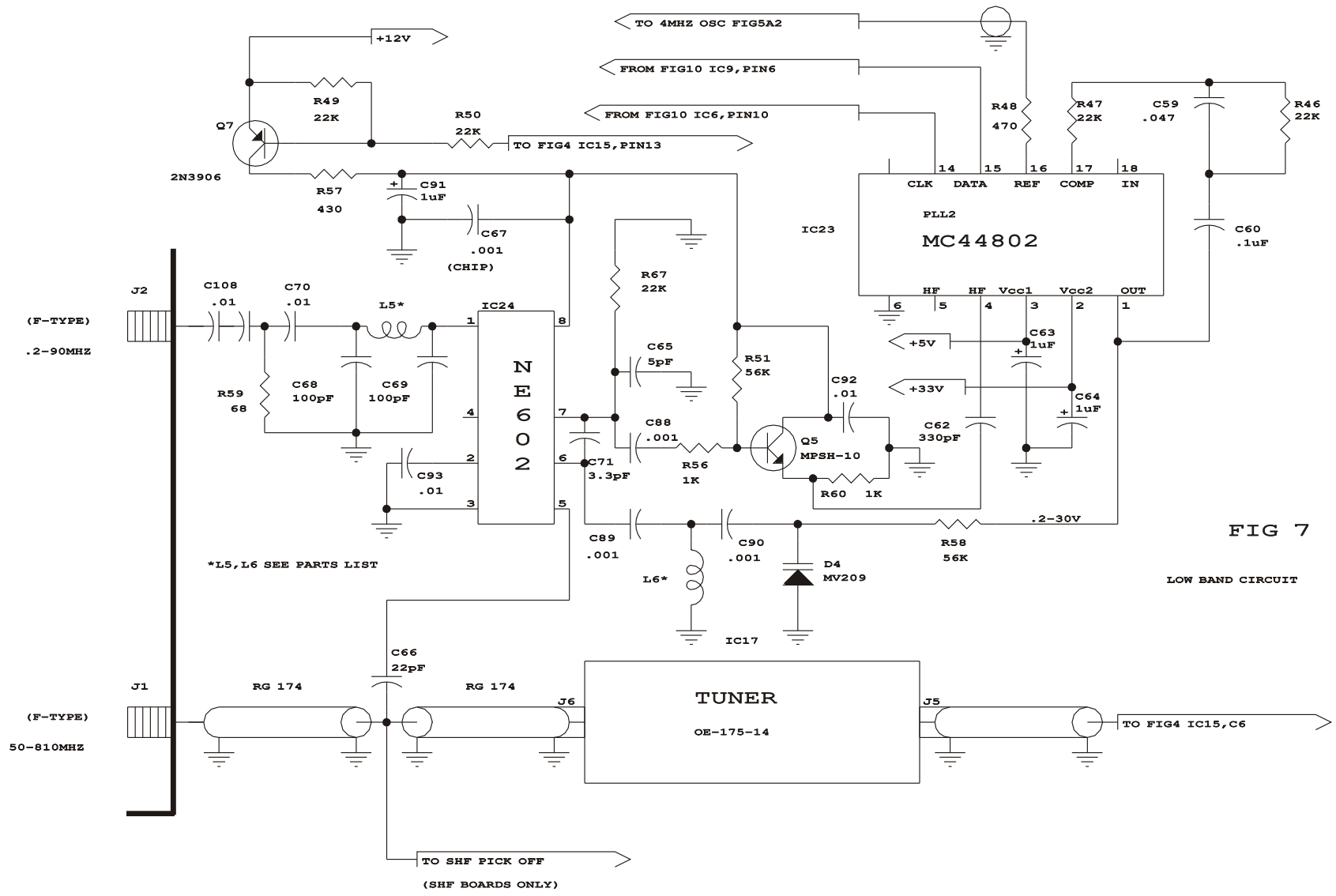


FIG 7

LOW BAND CIRCUIT

DKD INSTRUMENTS 1993		
Size	Document Number	REV
A	810B-5	A
Date:	February 23, 1993	Sheet 5 of 6

FIG 5B

FIG 5C

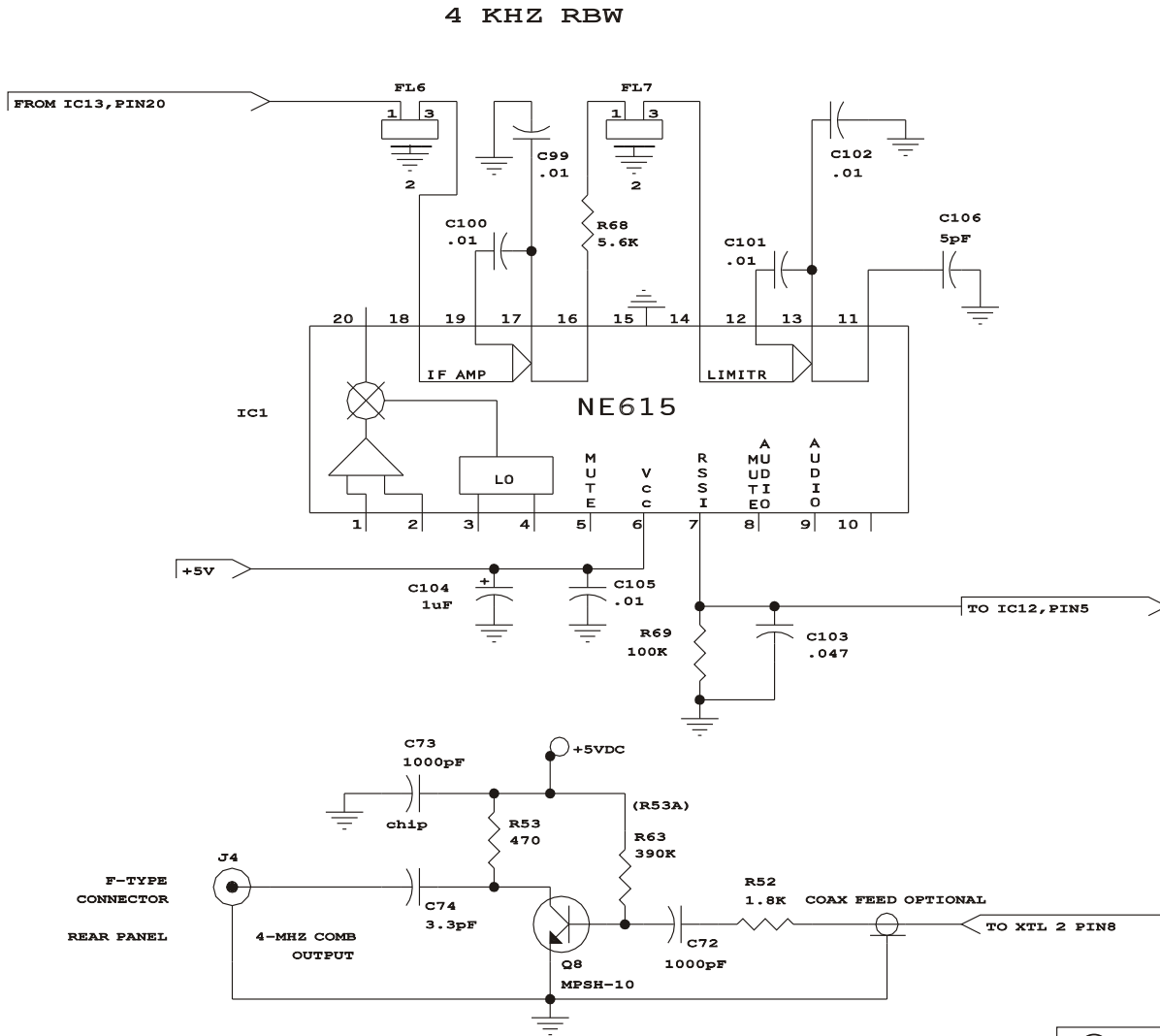
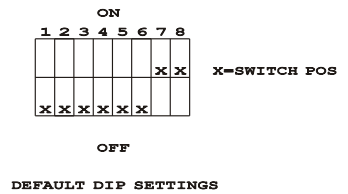
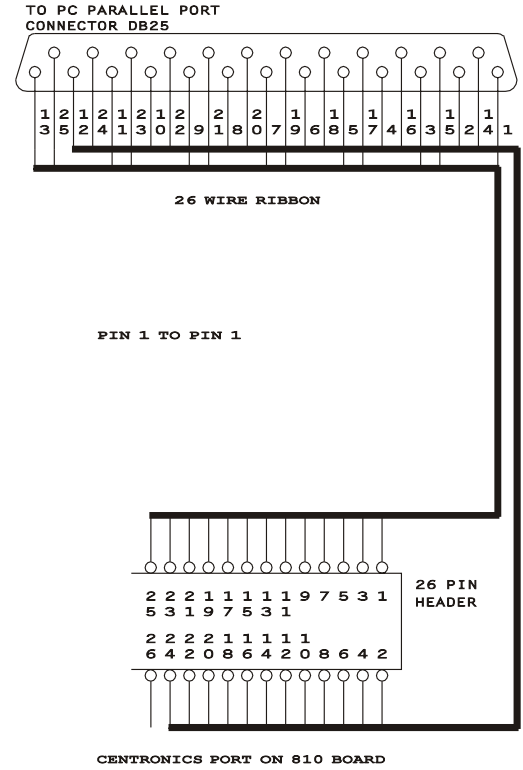


FIG 8 COMB GENERATOR



DKD INSTRUMENTS 1993	
Size A	Document Number 810B-6
Date: February 23, 1993	REV A
Sheet 6	of 6