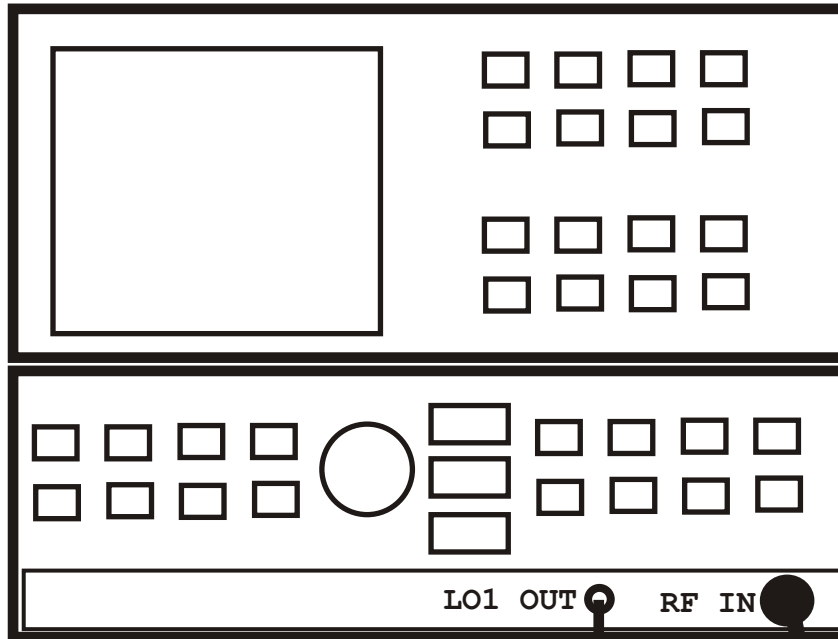
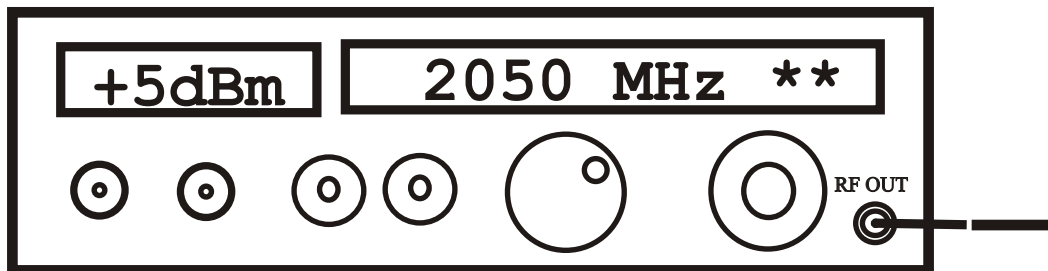
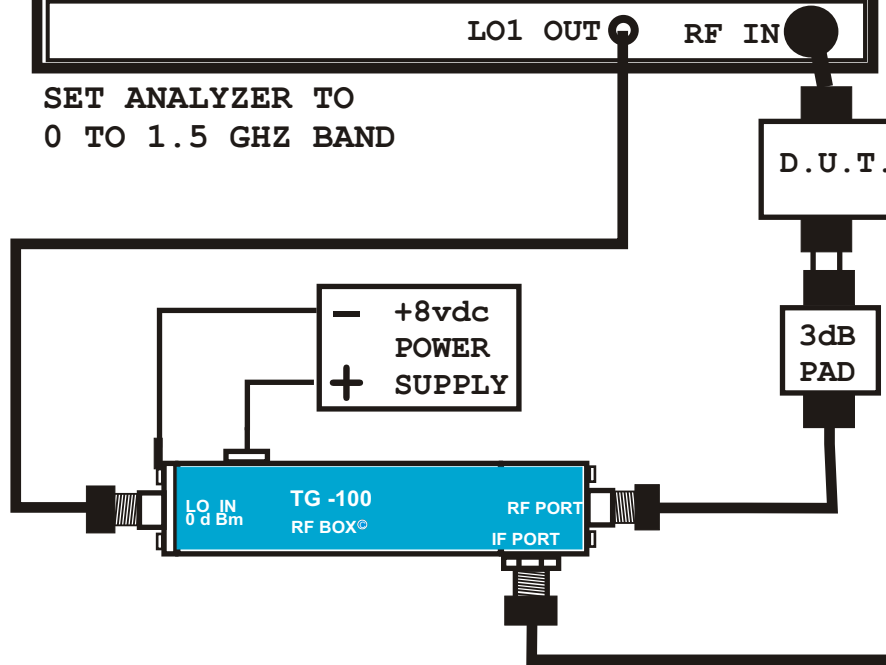


TG100 RECOMMENDED SETUP FOR OPERATION
W/ HP8568A/B

HP 8568A/B



SET ANALYZER TO
0 TO 1.5 GHz BAND



SIGNAL GENERATOR

** IT MAY BE NECESSARY TO
TUNE IN THE FREQUENCY.
TUNE FOR MAXIMUM AMPLITUDE
WITH THROUGH AS DUT